



RHINO-RACK

Aerodynamic & Heavy Duty Roof Rack Systems

RMPH Rhino Multi Purpose Holder Heavy Duty/Sportz

Place these instructions in the vehicle's glove box after installation is complete.

Important: Please read these instructions carefully prior to installation. Please refer to your fitting instruction to ensure that the roof racks are installed in the correct locations. Check the contents of kit before commencing fitment and report any discrepancies

Parts List

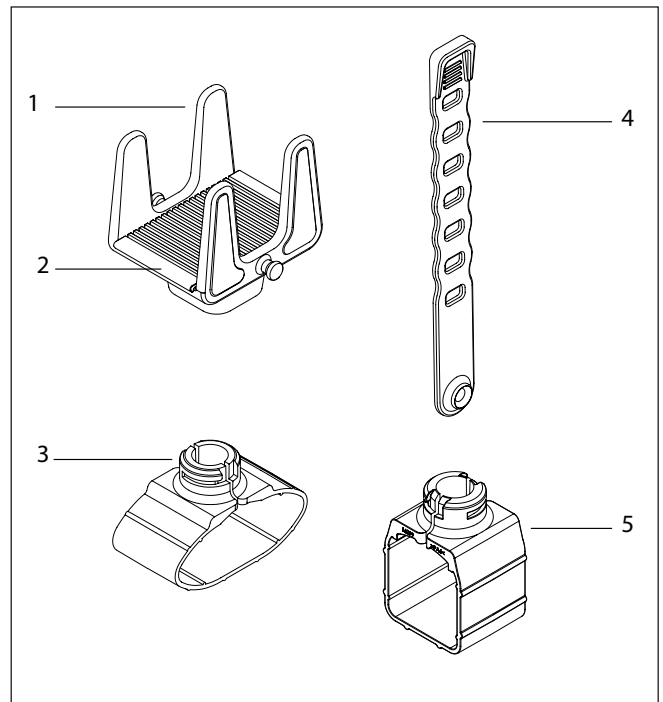
Item	Component Name	Qty	Part No.
1	Multi Purpose Holder Body	2	M218
2	Multi Purpose Holder Rubber Pad	2	M219
3	Sportz Wrap	2	M208
4	Multi Purpose Holder Strap	2	M220
5	Heavy Duty Wrap	2	M299
6	Fitting Instruction	1	RS-84

Care Instruction:

Thoroughly clean vehicle roof racks prior to fitting the Rhino Multi Purpose Holders.

Tools Required

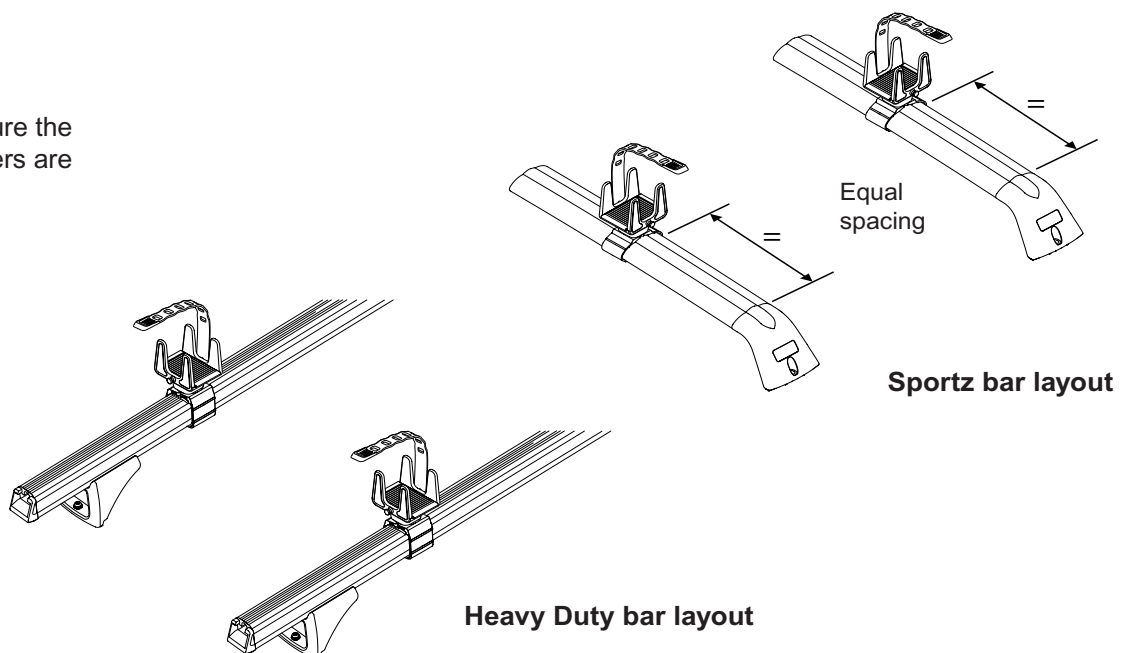
Allen key, provided in kit
Tape Measure
Knife



Layout:

NOTE:

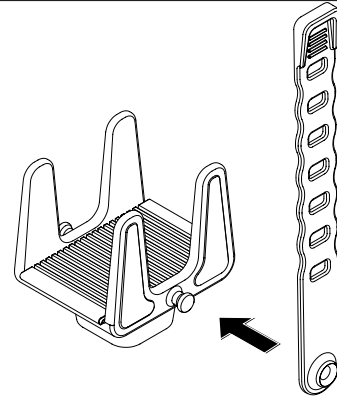
Measure to make sure the Multi Purpose Holders are spaced equally.



1

Assemble the Multi Purpose Holder:

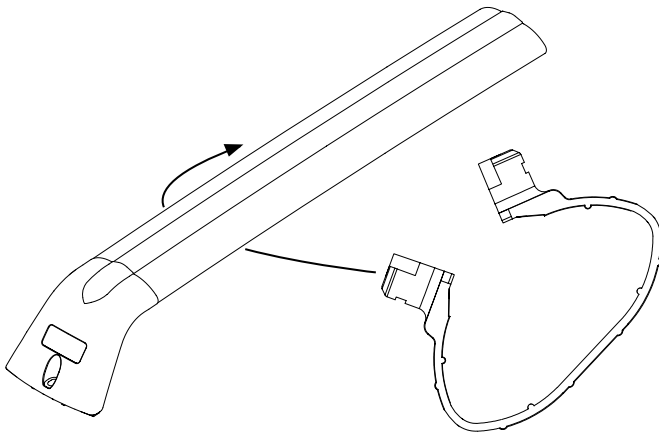
- a. Push the Rubber Multi Purpose Holder Strap onto the locating boss on one side of the Multi Purpose Holder Body. Lubrication may be needed around the boss to assist with fitment.



RHINO Sportz Fitment:

Spread and twist the Sportz wrap and wrap under the bar. The material will allow quite a bit of flexing. The rubber buffer strip on the cross bar does not need to be cut or removed for fitment.

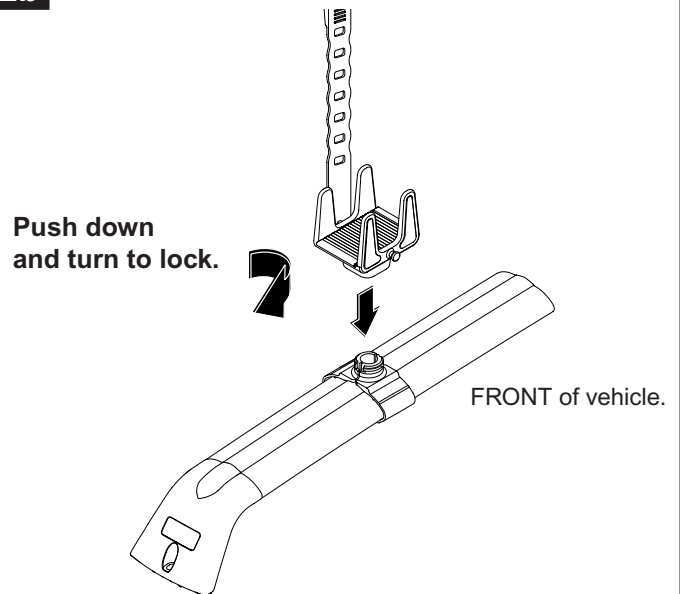
2a



RHINO Sportz Fitment:

Push the Multi Purpose Holder Body onto the Sportz wrap boss and turn 90° clockwise to lock in position.

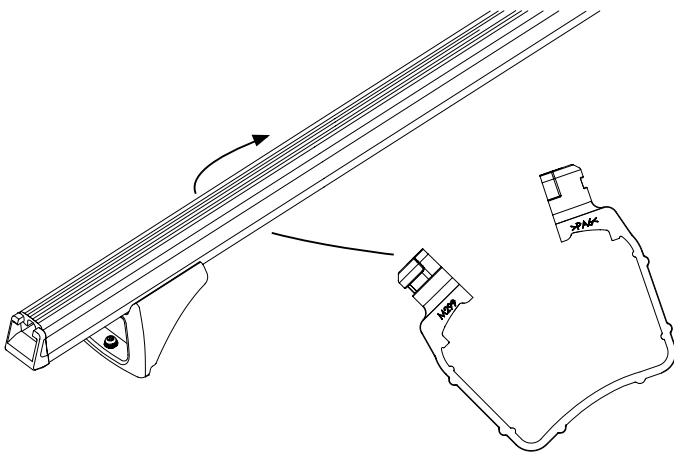
2b



RHINO Heavy Duty fitment:

Spread and twist the Heavy duty wrap and wrap under the bar. The material will allow quite a bit of flexing. The rubber buffer strip on the cross bar does not need to be cut or removed for fitment.

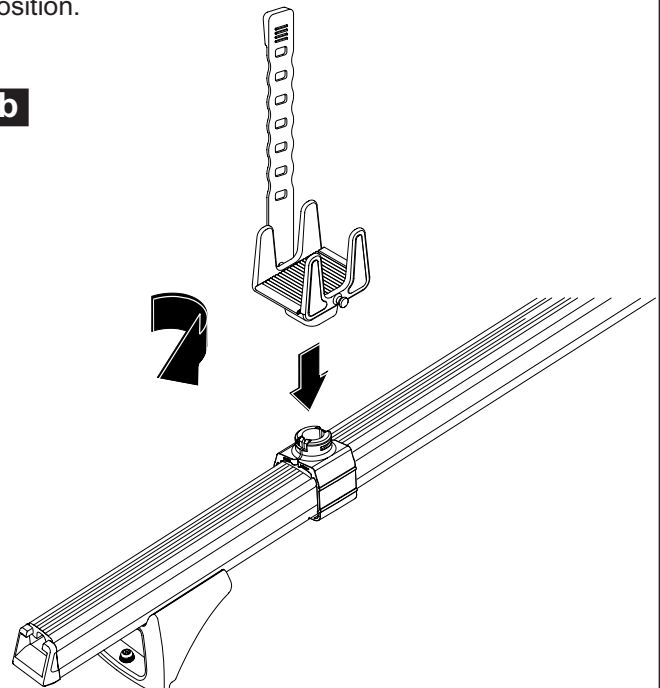
3a



RHINO Heavy Duty fitment:

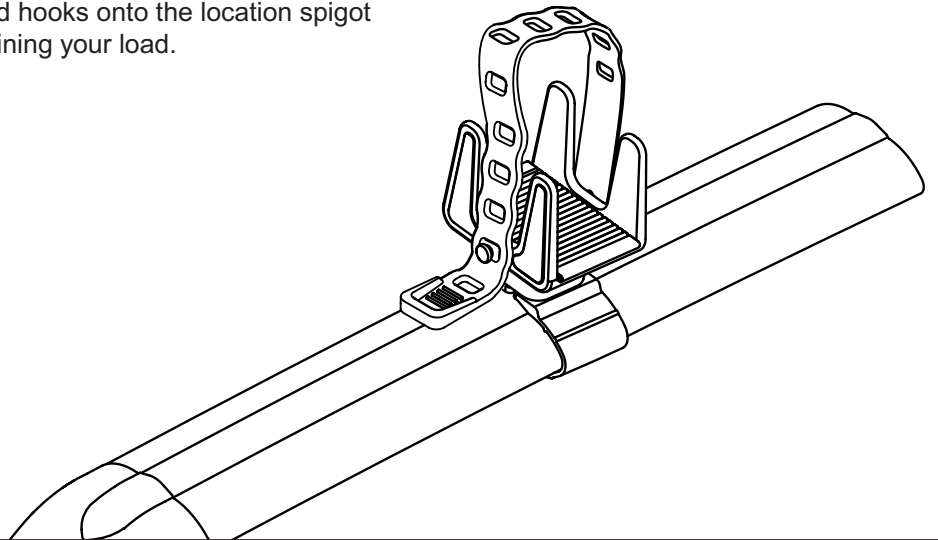
Push the Multi Purpose Holder Body onto the Heavy duty wrap boss and turn 90° clockwise to lock in position.

3b



STRAP Installation:

Once installed the strap folds over and hooks onto the location spigot on the opposing side of the body retaining your load.

4**Important Information****Recommendations:**

It is essential that all bolt connections be checked after driving a short distance when you first install your Rhino Rack accessory. Bolt connections should be checked again at regular intervals (probably once a week is enough, depending on road conditions, usage, loads and distances travelled). You should also check the cross bars and accessories each time they are refitted.

Make sure to fasten your load securely. Please ensure that all loads are evenly distributed and that the centre of gravity is kept as low as possible.

Use only non-stretch fastening ropes or straps.

Sensitivity to cross winds, behaviour in curves and braking

The handling characteristics of the vehicle, changes when you transport a load on the roof. For safety reasons, we recommend you exercise extreme care when transporting wind-resisting loads; special consideration must be taken into account when braking.

Please remove crossbars when putting vehicle through an automatic car wash.

Load Ratings

Refer to vehicle manufactures carrying capacity for cross bars. When roof racks are to be used in off-road conditions, please build a safety factor of 1.5 into this load limit. Although the roof racks are tested and approved to AS1235-2000, Australian road conditions can be much more rigorous. However, increasing the number of cross bars does not increase the vehicles maximum permissible roof loading.

Note for Dealers and Fitters

It is your responsibility to ensure instructions are given to the end user or client.

Rhino-Rack
3 Pike Street, Rydalmere,
NSW 2116, Australia.
(Ph) (02) 9638 4744
(Fax) (02) 9638 4822

Document No: RS-84
Prepared By: Craig Jones
Authorised By: Gary England

Issue No: 02
Issue Date: 05/04/2007

These instructions remain the property of Fetovu Pty Ltd T/as Rhino-Rack and may not be used or changed for any other purpose than intended.