



RHINO-RACK

Aerodynamic & Heavy Duty Roof Rack Systems

S604 Rhino Sportz - Tie Down Eye Nuts (2)

Place these instructions in the vehicle's glove box after installation is complete.

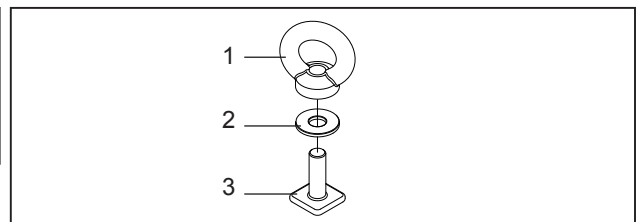
Important:

Please read these instructions carefully prior to installation.

Parts List

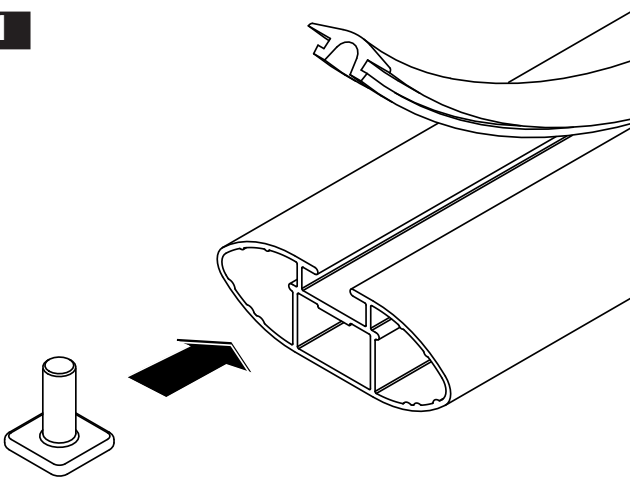
Important: Check the contents of kit before commencing fitment and report any discrepancies.

Item	Component Name	Qty.	Part No.
1	M8 Eye Nut	2	C079
2	5/16 x 3/4 Flat Washer	2	W030
3	M8 x 16mm Square Head Bolt	2	B018
4	Fitting Instruction	1	RS27



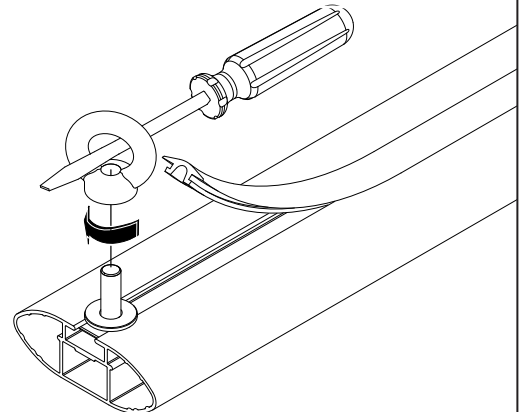
Slide and locate bolt in the cross bar.

1



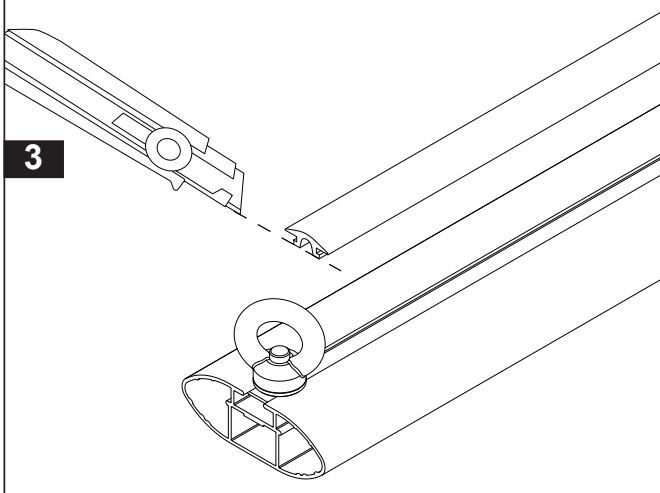
Locate bolt on cross bar. Place a flat washer and turn eye nut onto the end of each bolt. Tighten with the shank of a screwdriver. For secure tie off points ensure the eye nut hole faces the front and rear of the vehicle.

2



Cut buffer strip to suit and place in cross bar.

3



Rhino-Rack
3 Pike Street, Rydalmere,
NSW 2116, Australia.
(Ph) (02) 9638 4744 (Fax) (02) 9638 4822

Prepared By: Andy Wana
Authorised By: Chris Murty

Document No: RS-27
Issue No: 04
Issue Date: 21/10/2011

These instructions remain the property of Rhino-Rack Australia Pty Ltd and may not be used or changed for any other purpose than intended.