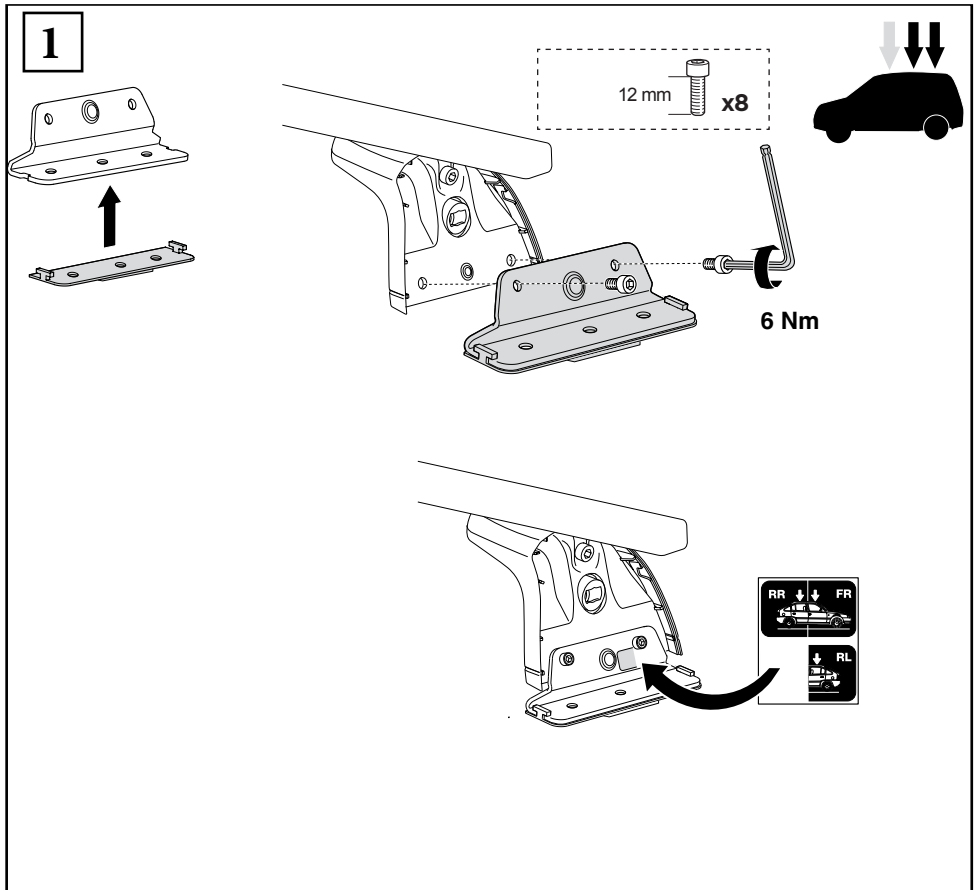
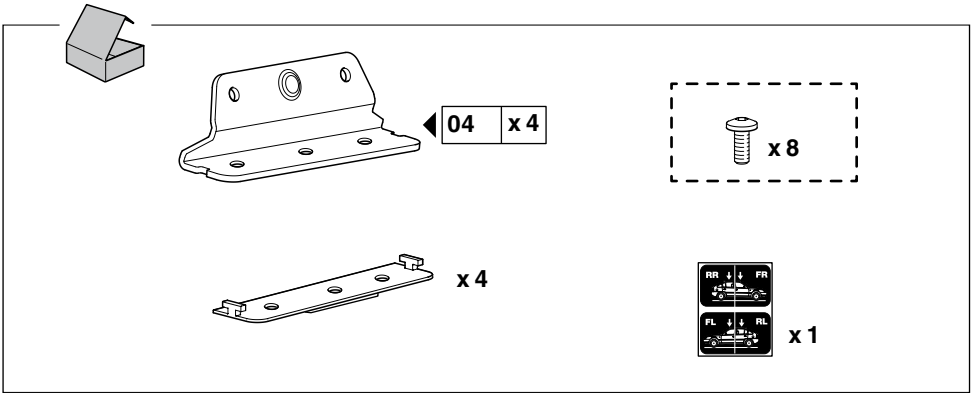
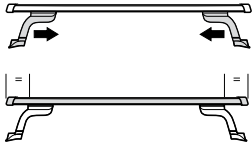


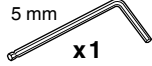
# 29616 Kit Instructions - Ram Promaster City



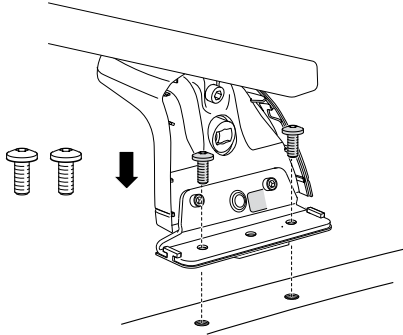
2



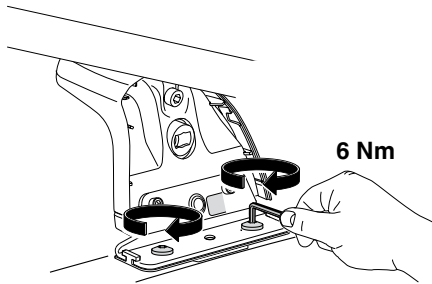
 x8

5 mm  x1

A



B



C

