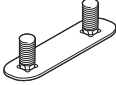

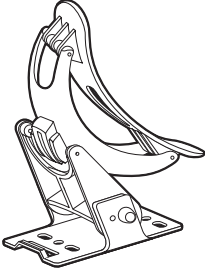
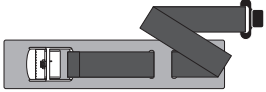

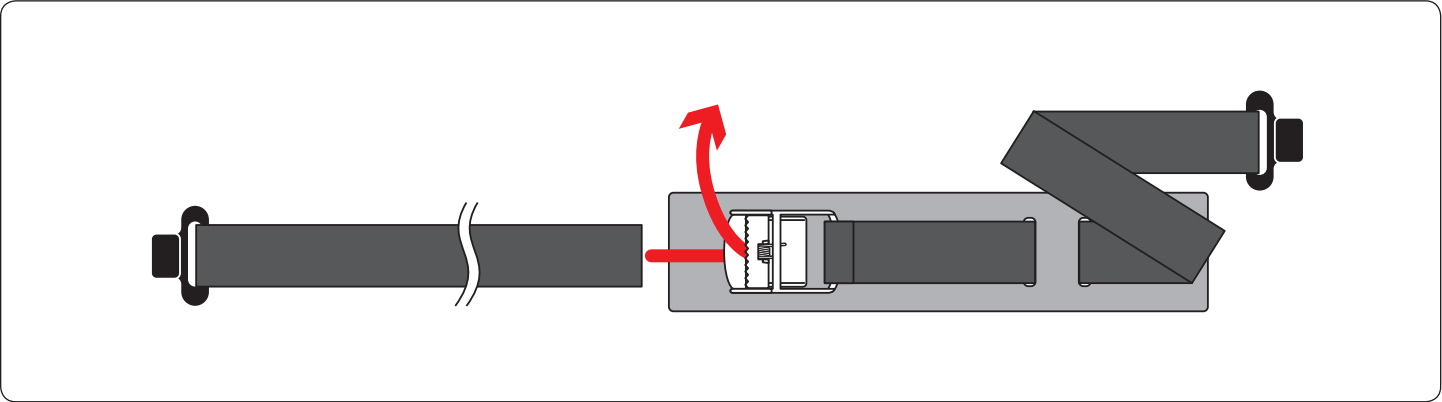
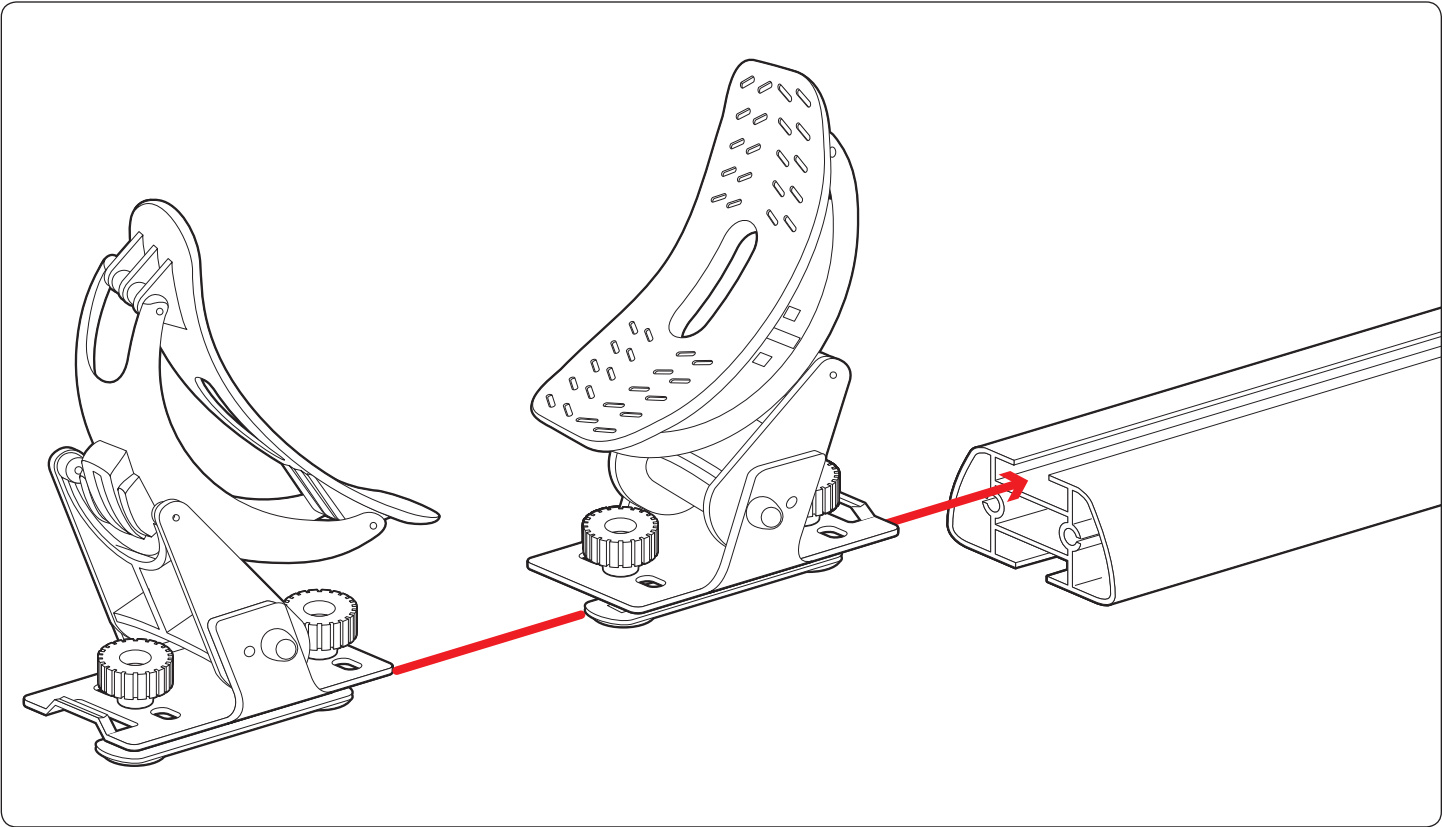


PART#	DESCRIPTION	QTY	ITEM <small>items not drawn to scale</small>
S012	2" DOUBLE SLIDER 1/4" (2 13/16" BOLT TO BOLT)	4	
N026	1/4" KNOB	8	
KY001	KAYAK HOLDER MOUNT	4	
KY011	STRAP1	2	
KY012	STRAP2	2	



Place your Kayak onto the Kayak holder then hook the ends of the strap to the ends of the mount and tighten straps.

